

## GPK03 Push Knob

### Features

- Knob can be pushed in when not in use
- Can install to door thickness 15 - 35 mm (with included cap) or 29 - 39 mm (with optional cap GPK04VB sold separately)

### Notes

- Install with bracket when applied to sheet metal

### Parts Included

- Truss head screw M3×20 (SUS)



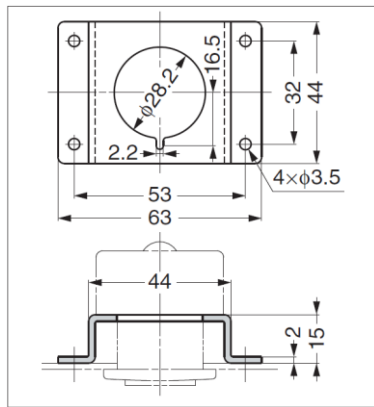
BN

CR

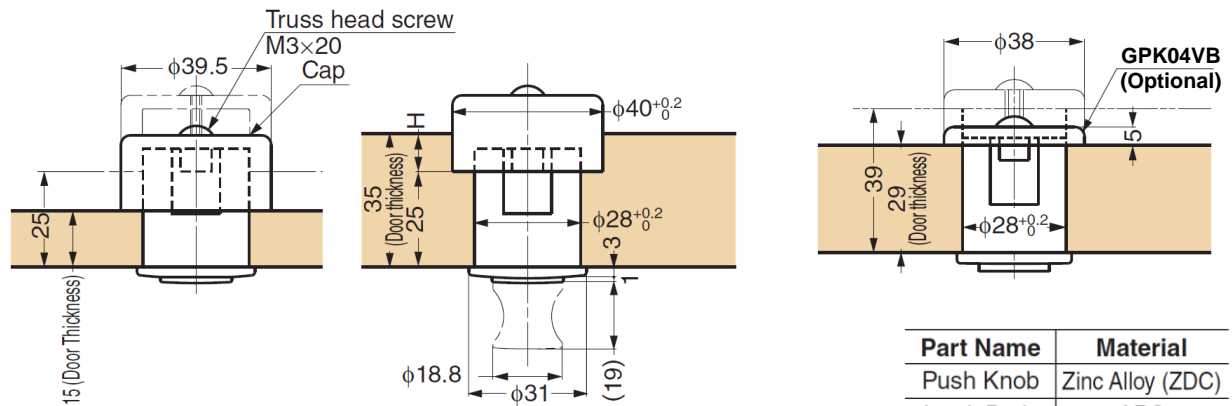
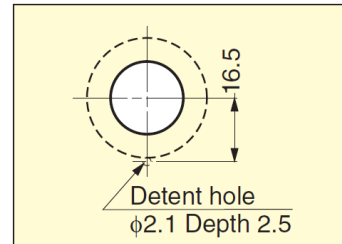
GA

GPK04VB  
(Optional)

### Bracket for Sheet Metal



### Cut Out Dimensions



| Part Name  | Material         |
|------------|------------------|
| Push Knob  | Zinc Alloy (ZDC) |
| Latch Body | ABS              |
| Cap        | ABS              |

### Body

| Part No. | Finish       | Door Thickness (DT) | Bore Depth H                    |
|----------|--------------|---------------------|---------------------------------|
| GPK03GA  | Gold         | 15 ~ 35             | DT 15 ~ 25: H = None (ø28 Hole) |
| GPK03CR  | Chrome       |                     |                                 |
| GPK03BN  | Black Nickel |                     | DT 26 ~ 35: H = DT - 25         |

### Optional Cap (Sold Separately)

| Part No. | Door Thickness | Material            | Finish |
|----------|----------------|---------------------|--------|
| GPK04VB  | 29 ~ 39        | Stainless Steel 430 | Plain  |